

FUTURA MINI DUAL - SPECIFICATIONS SHEET

Futura Mini Dual



Futura Mini Dual is a steel, one function boiler. This boiler characterized by the two separated combustion chambers: the lower with built-in burner, upper designated to burn other solid fuels on the grate water.

FUEL

At operation with a feeder recommended fuel is:
Coal having a diameter of 8-25 mm. The combustion on the grate- coal (20 - 40 mm), wood.

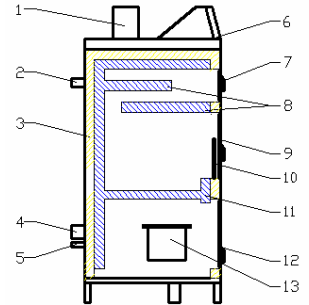


TECHNICAL DATA

Model		Futura Mini Dual	
Power Range	Coal 8-25mm	kW	18-24
The efficiency of the burner		%	84-85%
Water capacity		dm ³	120
Max working pressure		bar	2
Min outlet temperature		°C	55
Min. Outlet temperature		°C	90
Fluegases temperature at nominal power		°C	240-260
Fluegases temperature at minimal power		°C	100-150
Water-side resistance; Δt=10K		mbar	2-20
Water-side resistance; Δt=20K			0,5-5
Chimney pressure		Pa	20
Recommended chimney height		m	8
Recommended chimney section		cm ²	400
Dimensions of the loading chamber		dm ³	45/23
Hopper capacity		dm ³	210
Fuel consumption At nominal power	Coal	kg/h	6,19 /26
	Coal on grate	kg/h	6,7
	Wood on grate	kg/h	10,67/min2h
Power consumption		kW	0,27

BOILER CONSTRUCTION

1. Flue outlet
2. Outlet Connector
3. Thermal insulation (mineral wool)
4. Inlet connector
5. Blowdown connection
6. Controller RK 2006 Ecomax 250, Ecomax800 or else .
7. Door cleaning hole
8. Water coat
9. Loading door
10. Inner door grate
11. Water grate
12. Ash door
13. Burner



AUTOMATION



Controller FUZZY LOGIC Ecomax 250R. Supports domestic hot water pump and central heating pump and cooperates with a room thermostat.

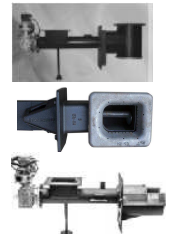
Optionally controller Ecomax 800R

OPTIONS

Standard In boilers installed steel retort burner

Optionally iron retort burner

Optionally Optional multifuel gutter burner



DIMENSIONS OF BOILER

Dimensions	[mm]
A	1660
B	1150
B1	510
C	750
a	1 ½'
b	1 ½'
c	½'
d	160

ADVANTAGES OF THE BOILER

- Automatic combustion
- Combustion time 2-7days for one load
- Easy to use
- Expandable automation
- Double furnace
- Can be configured the various burners

Model	Unit	Futura Mini Dual (coal 8-25 mm)
CO Emission (O2=10%)	mg/m3	566
OGC Emission (O2=10%)	mg/m3	88
Dust Emission (O2=10%)	mg/m3	85

EMISSION

Installation diagram: domestic hot water and central heating with thermostatic valve

